

Keysight Technologies N7784B High Speed Polarization Controller

Data Sheet



Introduction

The Keysight Technologies N7784B polarization controller contains a high-speed polarization controller plus microcontroller-based driving circuitry. This unit can operate in various modes.

As a **polarization stabilizer**, it provides a stable output state of polarization (SOP) even with fluctuations and drifts of the input SOP as occurring for example through temperature drift and mechanical settling processes. The stabilized output signal is aligned into a polarization maintaining fiber (PMF). Alternatively, an external electrical feedback signal can be provided for stabilizing the SOP.

As a **synchronous scrambler**, the device switches the SOP of the output signal in a random (pseudo) way. Switching of the SOP occurs within a few microseconds. The SOP is stable for a predefined time until it again switches to a new SOP. An electrical trigger input can be used to synchronize the scrambler with external events.

As an **SOP switch**, the N7784B allows switching the internal waveplates to user definable angles with very high speed and repeatability.

As traditional **scrambler** the N7784B varies the output SOP smoothly in a random/pseudo random way. The unit does not contain any moving parts and therefore is robust and withstands even rough environmental conditions. All above-mentioned applications of the N7784B are supported by a PC software package.

- PC-based application software comes with this instrument.
- Other instrument drivers for various software interfaces are available.

Key Benefits

- Comprehensive polarization control and management capabilities.
- Covers S-, C- and L-band plus 1.3 μm window (O-band).
- Compact size.
- Standalone operation.
- Robust, no moving parts.
- PC software package included.

Applications

- Interferometry: polarization stabilization to maximize contrast ratio.
- Recirculating loop experiments: loop-synchronous polarization scrambling.
- System test: polarization sensitivity analysis on link/transmission quality.

Keysight N7784B Instrument Setup and Application Examples

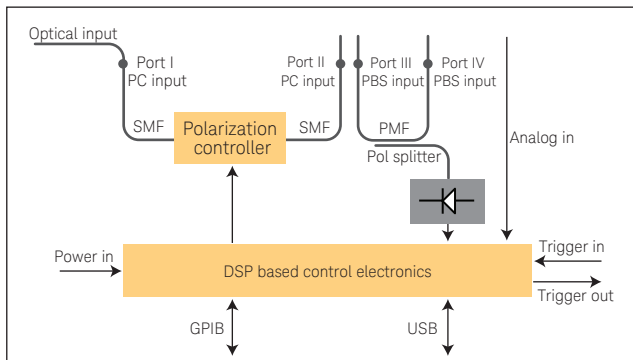


Figure 2. N7784B instrument setup.

The instrument setup is shown in Figure 2. If a scrambling or switching operation is desired, only ports I and II are used. If the SOP of the signal is stabilized and the signal is fed in a PMF, then port II and port III have to be connected by an SMF. In this situation, the output signal is available on port IV. If an external feedback signal is available for stabilization, only ports I and II are occupied.

Application Examples

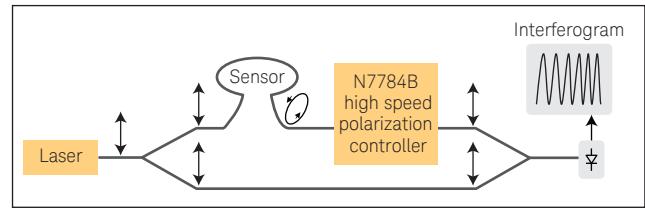


Figure 3. Interferometry/coherent detection.

Fiber optic based interferometers or coherent receiver schemes need polarization stabilization in order to avoid fading problems of the interference signal. These fading effects are caused by orthogonally polarized fractions of the light. The N7784B allows elimination of such effects by alignment of the signal polarization.

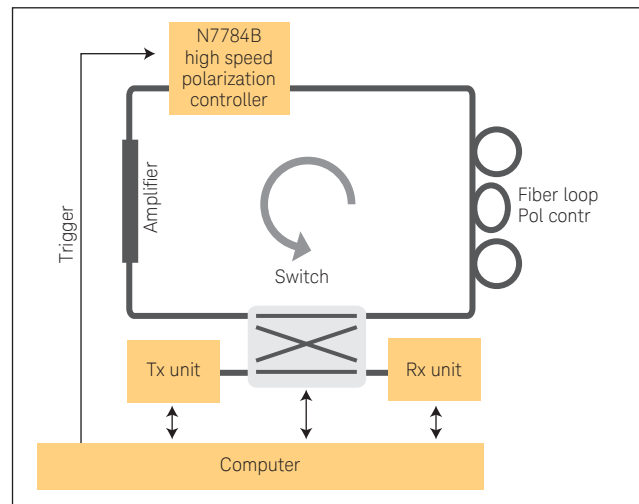


Figure 4. Recirculating loop.

The results obtained in re-circulating loop experiments depend heavily on the PMD and PDL properties of the loop.

Loop synchronous polarization scrambling schemes have proven to be necessary for generating results comparable to deployed systems. The N7784B is ideally suited to provide the synchronous scrambling capability in such experiments.

Specifications¹ N7784B Polarization Controller

Wavelength		
Operating wavelength range	1260 to 1640 nm	
Wavelength range in stabilizer mode ²	1520 to 1580 nm	
Polarization control and stabilization		
SOP switching time (open-loop)	< 10 μ s	
PER at PMF output (typical)	> 23 dB	
Stabilizer response time (typical) ³	2 ms	
Optical power		
Insertion loss port I to port II ⁴	< 3.5 dB (< 3.0 dB, typical)	
Insertion loss port III to port IV ⁵	< 1.8 dB (< 1.4 dB, typical)	
PDL port I to port II (typical)	C/L-Band	< 0.2 dB
	O-Band	< 0.5 dB
Maximum safe input power	Port I	20 dBm
	Port III	3 dBm
Input power range in stabilizer mode	Port III	-30 to 0 dBm
Ordering instructions		
Optical connector options		
N7784B-021	Straight contact connectors	
N7784B-022	Angled contact connectors	
Connector interface		
The N7784B should usually be ordered with four 81000xl connector interfaces, depending on desired connector type (not included).		
Accessories		
5063-9240	Rack mount kit for 1 unit with filler panel	
5063-9212 + 5061-9694	Rack mount parts for 2 units side-by-side	
Calibration		
Select Keysight calibration plan		
R-50C-011-3	3-year calibration assurance plan (return to Keysight): Priority calibration service covering all calibration costs for 3 years; 15% cheaper than buying stand-alone calibrations.	
R-50C-011-5	5-year calibration assurance plan (return to Keysight): Priority calibration service covering all calibration costs for 5 years; 20% cheaper than buying stand-alone calibrations.	
General characteristics		
Dimensions (D x W x H)	380 x 213 x 88 mm (excluding front and back rubber cushions and handle)	
Weight	Approx. 4 kg	
Recommended recalibration period	24 months	
Operating temperature	+5 to +40°C	
Operating humidity	0 to 80%, non-condensing	
Altitude	The maximum operating altitude is 2000 m.	
Pollution protection	Pollution degree 2.	
Warm-up time	20 minutes	
Interfaces	The instruments can be controlled via USB or GPIB interfaces	
Power consumption	Line power: AC 100 to 240 V \pm 10%, 50/60 Hz, 60 VA max.	

1. Ambient temperature change max. \pm 0.5°C since normalization. Specification valid on day of calibration.

2. Outside the stabilizer wavelength range, the PER at PMF output may be degraded.

3. Input power at port III > -30 dBm, response to an immediate step of 180° on the Poincaré sphere.

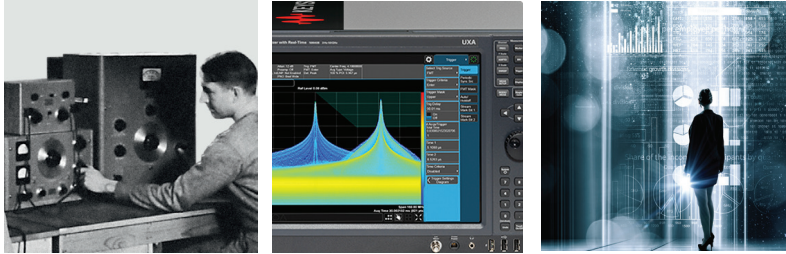
4. For SOP scrambling/switching, only ports I/II are used.

5. Valid for optimum input polarization at PBS input (Port III). Add insertion loss of port I/II and obtain total insertion loss for SOP stabilizing mode.

Evolving Since 1939

Our unique combination of hardware, software, services, and people can help you reach your next breakthrough. We are unlocking the future of technology.

From Hewlett-Packard to Agilent to Keysight.



For more information on Keysight Technologies' products, applications or services, please contact your local Keysight office. The complete list is available at:

www.keysight.com/find/contactus

Americas

Canada	(877) 894 4414
Brazil	55 11 3351 7010
Mexico	001 800 254 2440
United States	(800) 829 4444

Asia Pacific

Australia	1 800 629 485
China	800 810 0189
Hong Kong	800 938 693
India	1 800 11 2626
Japan	0120 (421) 345
Korea	080 769 0800
Malaysia	1 800 888 848
Singapore	1 800 375 8100
Taiwan	0800 047 866
Other AP Countries	(65) 6375 8100

Europe & Middle East

Austria	0800 001122
Belgium	0800 58580
Finland	0800 523252
France	0805 980333
Germany	0800 6270999
Ireland	1800 832700
Israel	1 809 343051
Italy	800 599100
Luxembourg	+32 800 58580
Netherlands	0800 0233200
Russia	8800 5009286
Spain	800 000154
Sweden	0200 882255
Switzerland	0800 805353
	Opt. 1 (DE)
	Opt. 2 (FR)
	Opt. 3 (IT)
United Kingdom	0800 0260637

For other unlisted countries:

www.keysight.com/find/contactus
(BP-9-7-17)

DEKRA Certified
ISO 9001 Quality Management System

www.keysight.com/go/quality
Keysight Technologies, Inc.
DEKRA Certified ISO 9001:2015
Quality Management System

myKeysight

myKeysight

www.keysight.com/find/mykeysight

A personalized view into the information most relevant to you.

http://www.keysight.com/find/emt_product_registration

Register your products to get up-to-date product information and find warranty information.

KEYSIGHT SERVICES

Accelerate Technology Adoption.
Lower costs.

Keysight Services

www.keysight.com/find/service

Keysight Services can help from acquisition to renewal across your instrument's lifecycle. Our comprehensive service offerings—one-stop calibration, repair, asset management, technology refresh, consulting, training and more—helps you improve product quality and lower costs.



Keysight Assurance Plans

www.keysight.com/find/AssurancePlans

Up to ten years of protection and no budgetary surprises to ensure your instruments are operating to specification, so you can rely on accurate measurements.

Keysight Channel Partners

www.keysight.com/find/channelpartners

Get the best of both worlds: Keysight's measurement expertise and product breadth, combined with channel partner convenience.



This information is subject to change without notice.

© Keysight Technologies, 2013 - 2018
Published in USA, February 16, 2018
5989-8113EN
www.keysight.com